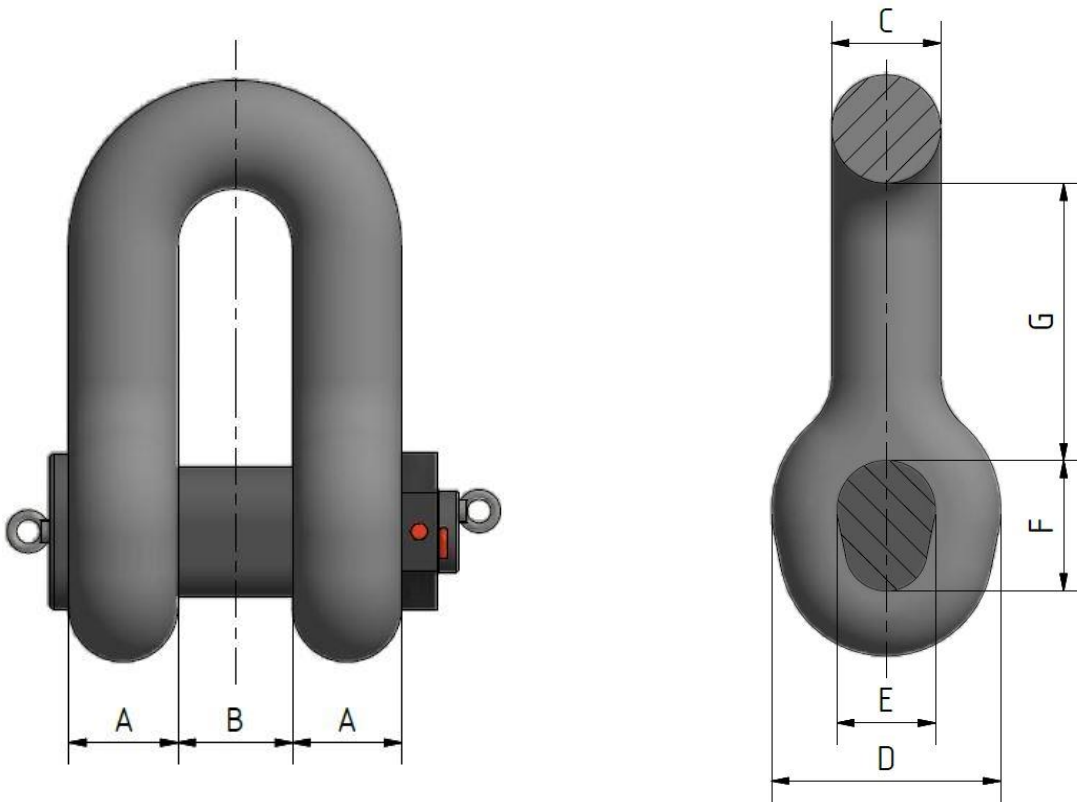


Shackles



Special D-Type Joining Shackle

Offshore accessory to be used for Temporary and Mobile Mooring



chain dia.	A	B	C	D	E	F	G
d	$1,185 \times d$	$1,3 \times d$	$1,185 \times d$	$2,8 \times d$	$1,185 \times d$	$1,6 \times d$	$3,2 \times d$

Custom dimensions according to clients requirements
to connect studless common link and enlarged link

Application: Temporary, Mobile and Long term Mooring

Manufactured & Tested: in Germany by Feubo

Material: Forged Steel – all grades R3 - R5